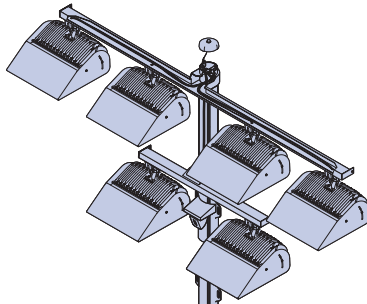
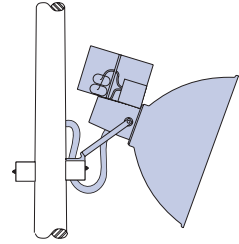


System vs parts

Lighting may be purchased as a system or as single fixtures plus other parts and pieces from a variety of sources. Here's an analysis:



System



Parts

Shaded areas indicate engineered components

System

Engineered as a complete system

- Parts selected by trained engineers for compatibility
- Critical components assembled in controlled environment
- Tested prior to shipping
- Single source accountability with light level guarantee and warranty on entire system

Factory aimed

- Reduced installation time and expense
- Known results

Electrical components mounted at pole base

- Easier maintenance
- Weight reduction better assures fixture alignment

Built-in lightning and surge protection

- Assures its installed and operating

Parts

Parts and pieces of unknown strength and quality put together by the installer

- Inconsistent warranties from several sources
- Exposed wiring creates maintenance problems

Individual fixture-by-fixture aiming from the top of the pole

- Adds installation time and cost
- Unknown results

Electrical components on fixture

- Troubleshooting must be done from the top of the pole
- Increases chance of misalignment

Unknown protection

